

Encoders without bearings - incremental

Sensor head with magnetic tape for shaft $\varnothing 300\text{...}3183$ mm

512...131072 pulses or 512...16384 sinewave cycles per turn

MIR 3000F - HDmag flex



Features

- Bearingless incremental encoder with magnetic sensing
- Flexible design for wide shaft diameter range
- Square-wave signals HTL/TTL or sine signals
- Max. 131072 pulses per revolution
- Status indication via system OK output and LED
- Robust and wearless
- Fully encapsulated electronics IP 67
- Large mounting tolerances

Optional

- Corrosion protection for offshore applications

Technical data - electrical ratings

Voltage supply	4.75...30 VDC
Consumption w/o load	≤ 300 mA (24 VDC)
Sensing method	Magnetic
Output signals	A+, B+, R+, A-, B-, R-
Initializing time	≤ 1000 ms after power on
Status indicator	Color-LED, system OK output
Interference immunity	EN 61000-6-2
Emitted interference	EN 61000-6-3
Approval	CE

Technical data - electrical ratings (square-wave)

Pulses per revolution	512...131072
Phase shift	$90^\circ \pm 2^\circ$
Scan ratio	45...55 %
Reference signal	Zero pulse, width 90°
Output frequency	≤ 500 kHz (HTL) ≤ 2 MHz (TTL)
Output stages	HTL TTL/RS422

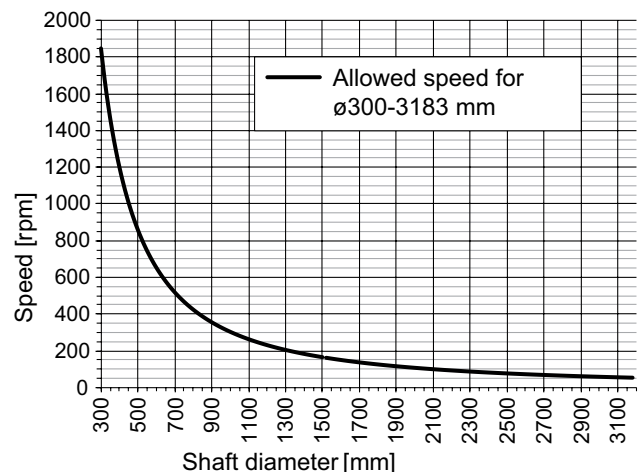
Technical data - electrical ratings (sinewave)

Sinewave cycles per turn	512...16384
Phase shift	$90^\circ \pm 2^\circ$
Reference signal	Zero pulse, width 360°
Output frequency	≤ 500 kHz
Output stages	SinCos 1 Vpp

Technical data - mechanical design

Dimensions (sensor head)	165 x 25 x 93 mm
Axial tolerance	± 5 mm (belt to head)
Radial tolerance	1...3 mm (belt to head)
Shaft type	$\varnothing 300\text{...}3183$ mm (through hollow shaft)
Protection DIN EN 60529	IP 67
Operating temperature	$-40\text{...}+85$ °C
Operating speed	1850 rpm ($\varnothing 300$ mm) 150 rpm ($\varnothing 1500$ mm) see diagram below
Resistance	IEC 60068-2-6 Vibration 30 g, 10-2000 Hz IEC 60068-2-27 Shock 300 g, 6 ms
Connection	Flange connector M23, 12-pin
Weight approx.	730 g (head), 120 g (belt/m), 17 g (lock)

Speed dependent on the shaft diameter



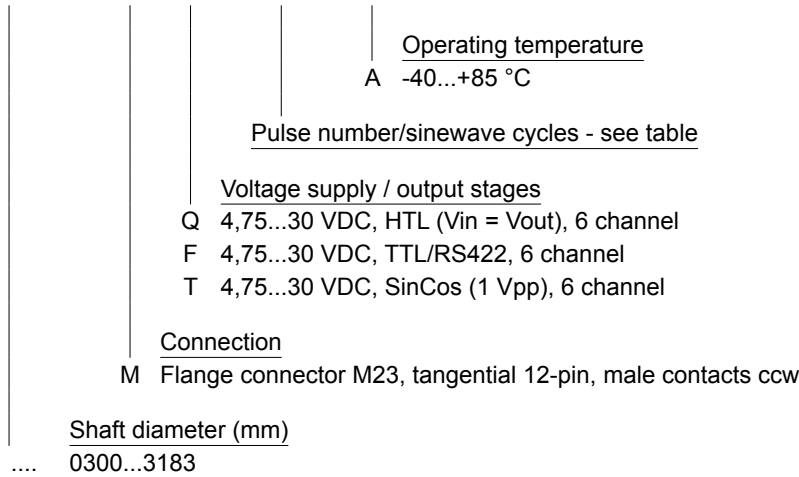
Encoders without bearings - incremental

Sensor head with magnetic tape for shaft \varnothing 300...3183 mm
512...131072 pulses or 512...16384 sinewave cycles per turn

MIR 3000F - HDmag flex

Part number

MIR3000F- [....] [.] [M] [] [.] [] [.] [A]



Pulse number/sinewave cycles

512	1024	5000	16384
720	2048	8192	32768
1000	4096	10000	131072

Other pulse numbers/sinewave cycles on request.
Maximum sinewave cycles 16384 for SinCos output.

Accessories

Connectors and cables

HEK 8	Sensor cable for encoders
11068549	Mating connector M23, solder version, 12-pin, CW

Encoders without bearings - incremental

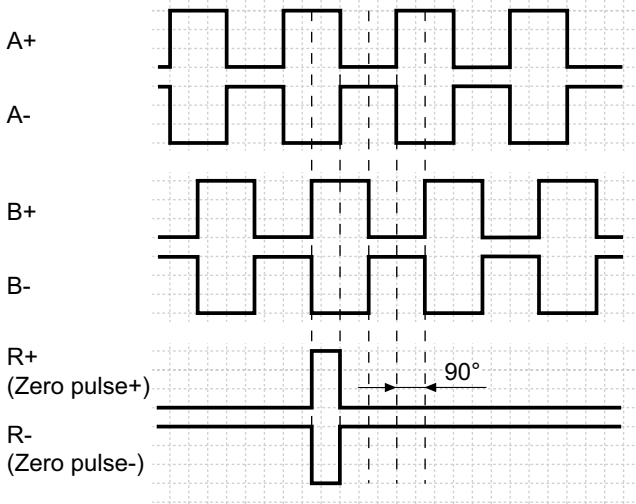
Sensor head with magnetic tape for shaft $\varnothing 300 \dots 3183$ mm

512...131072 pulses or 512...16384 sinewave cycles per turn

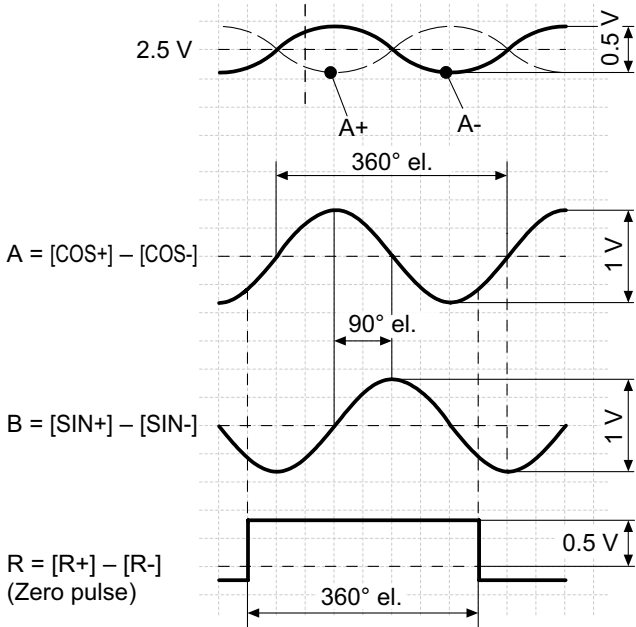
MIR 3000F - HDmag flex

Output signals

Version with square-wave signals HTL oder TTL at positive rotating direction



Version with sinewave signals at positive rotating direction



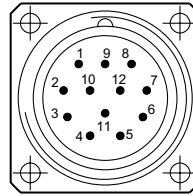
Terminal assignment

View A

Flange connector M23, 12-pin, male contacts, CCW

Pin	Assignment
1	B- / SIN-
2	System OK-*
3	R+ (Zero pulse)
4	R- (Zero pulse inv.)
5	A+ / COS+
6	A- / COS-
7	Do not use
8	B+ / SIN+
9	Do not use
10	0 V
11	System OK+*
12	+UB

No error if system OK output = HIGH



Encoders without bearings - incremental

Sensor head with magnetic tape for shaft $\varnothing 300 \dots 3183$ mm
 512...131072 pulses or 512...16384 sinewave cycles per turn

MIR 3000F - HDmag flex

Dimensions

